
FnIO G – Series :

GT-2628

GT-2628(8 Channels, Source Output Terminal, 24Vdc/2A)

Date: 2016.08.10

Specification

Table of Contents

| | |
|---|---|
| Table of Contents..... | 2 |
| History..... | 3 |
| 1.ENVIRONMENTSPECIFICATION..... | 4 |
| 2.GT-2628(8 Channels Source Output Terminal)..... | 5 |
| 2.1.GT-2628Specification | 5 |
| 2.2.GT-2628Wiring Diagram..... | 6 |
| 2.3.GT-2628LED Indicator..... | 7 |
| 2.3.1.LED Indicator..... | 7 |
| 2.3.2.Channel Status LED..... | 7 |
| 2.3.3.Mapping data into the image table..... | 8 |
| 2.4.Parameter Data..... | 8 |

History

| REV. | PAGES | REMARKS | DATE | Editor |
|-------------|-------|-------------|--------------|---------------|
| Preliminary | | Preliminary | Aug 10, 2016 | Lee, Jeongmin |
| | | | | |
| | | | | |
| | | | | |
| | | | | |

Specification

1. ENVIRONMENT SPECIFICATION

| Environment specification | |
|----------------------------------|--|
| Operating Temperature | -40°C~70°C |
| UL Temperature | -20°C~60°C |
| Storage Temperature | -40°C~85°C |
| Relative Humidity | 5% ~ 90% non-condensing |
| Mounting | DIN rail |
| General specification | |
| Shock Operating | IEC 60068-2-27 |
| Vibration Resistance | Based on IEC 60068-2-6 Sine Vibration <ul style="list-style-type: none"> - 5 ~ 25Hz : ±1.6mm - 25 ~ 300Hz : 4g - Sweep Rate : 1 Oct/min, 20 Sweeps Random Vibration <ul style="list-style-type: none"> - 10 ~ 40 Hz : 0.0125 g²/Hz - 40 ~ 100 Hz : 0.0125 → 0.002 g²/Hz - 100 ~ 500 Hz : 0.002 g²/Hz - 500 ~ 2000 Hz : 0.002 → 1.3 x 10⁻⁴g²/Hz - Test time : hrs for each test |
| Industrial Emissions | EN 61000-6-4/A11 : 2011 |
| Industrial Immunity | EN 61000-6-2 : 2005 |
| Installation Position | Vertical and horizontal installation is available. |
| Product Certifications | CE, UL |

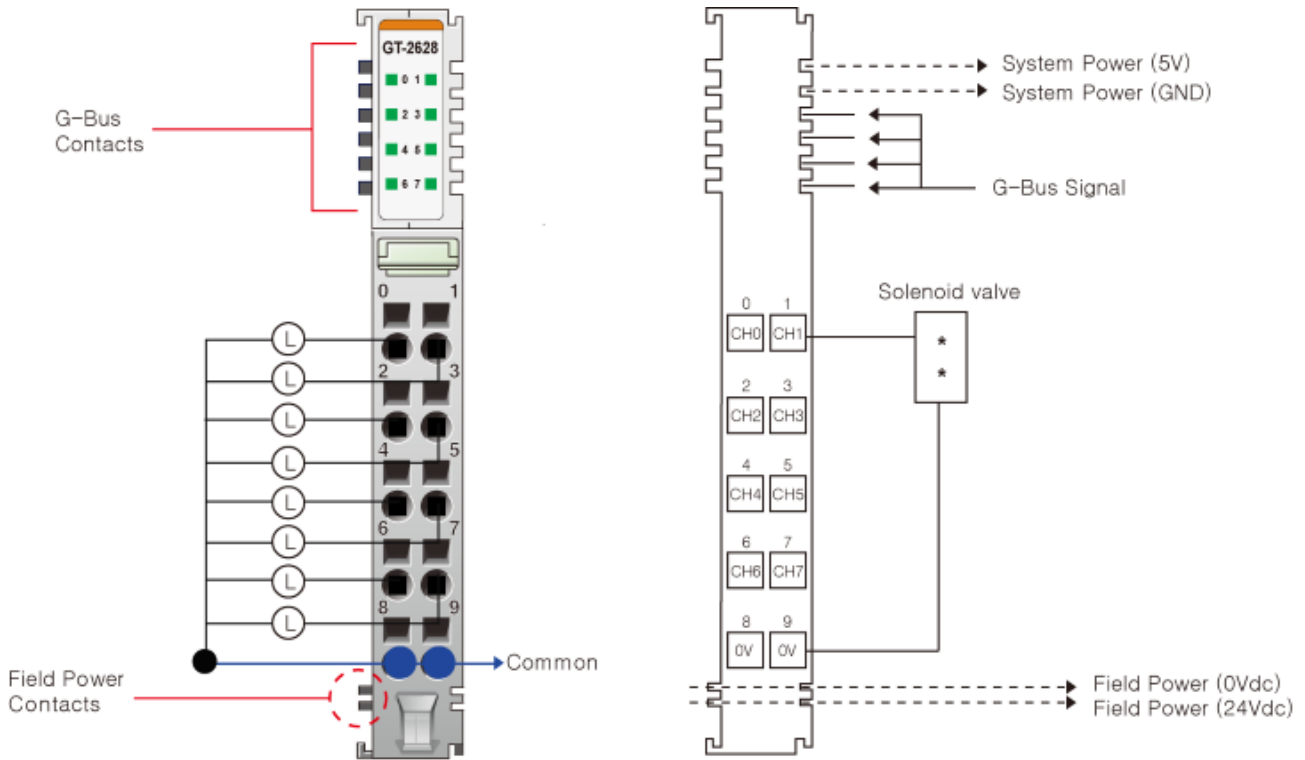
Specification

2. GT-2628 (8 Channels Source Output Terminal)

2.1. GT-2628 Specification

| Items | Specification |
|------------------------------|--|
| Output Specification | |
| Output per module | 8 Points Source type |
| Indicators (Logic side) | 8 Green output state |
| Output Voltage Range | Nominal 24Vdc, Min. 11Vdc to Max. 28.8Vdc |
| ON-state voltage drop | Max. 1Vdc @ 25°C |
| ON-State Min. Current | 1mA per channel |
| OFF-State Leakage current | Max. 150uA |
| Output Signal Delay | OFF to ON : 0.3ms maximum ON to OFF : 0.3ms maximum |
| Output Current Rating | Max. 2A per channel Operating Temperature -40°C~50°C : Max. 10A per unit 50°C~60°C : Max. 7A per unit 60°C~70°C : Max. 4.8A per unit |
| COMMON Type | 8 points / Internal 2Com |
| General specification | |
| Power dissipation | 45mA maximum @ 5.0Vdc |
| Isolation | I/O to Logic : isolation Field power : Non-isolation |
| Field Power | Supply voltage : 24Vdc nominal Voltage range : 15V~32V Power dissipation: 30mA @24Vdc |
| Wiring | I/O Cable Max. 2.0mm ² (AWG 14) |
| Weight | 70g |
| Module Size | 12mm x 99mm x 70mm |
| Environment Condition | Refer to '1. Environment Specification' |

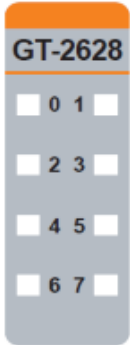
2.2. GT-2628 Wiring Diagram



| Pin No. | Signal Description | Signal Description | Pin No. |
|---------|-------------------------|-------------------------|---------|
| 0 | Output Channel 0 | Output Channel 1 | 1 |
| 2 | Output Channel 2 | Output Channel 3 | 3 |
| 4 | Output Channel 4 | Output Channel 5 | 5 |
| 6 | Output Channel 6 | Output Channel 7 | 7 |
| 8 | Common (Field Power 0V) | Common (Field Power 0V) | 9 |

2.3. GT-2628 LED Indicator

2.3.1. LED Indicator



| LED No. | LED Function / Description | LED Color |
|---------|----------------------------|-----------|
| 0 | OUTPUT Channel 0 | Green |
| 1 | OUTPUT Channel 1 | Green |
| 2 | OUTPUT Channel 2 | Green |
| 3 | OUTPUT Channel 3 | Green |
| 4 | OUTPUT Channel 4 | Green |
| 5 | OUTPUT Channel 5 | Green |
| 6 | OUTPUT Channel 6 | Green |
| 7 | OUTPUT Channel 7 | Green |

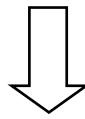
2.3.2. Channel Status LED

| Status | LED | To indicate |
|------------|-------|------------------|
| Not Signal | Off | Normal Operation |
| On Signal | Green | Normal Operation |

2.3.3. Mapping data into the image table

- Output Image Value

| Bit No | Bit7 | Bit6 | Bit5 | Bit4 | Bit3 | Bit2 | Bit1 | Bit0 |
|--------|------|------|------|------|------|------|------|------|
| Byte0 | D7 | D6 | D5 | D4 | D3 | D2 | D1 | D0 |



- Output Module Data

| | | | | | | | |
|----|----|----|----|----|----|----|----|
| D7 | D6 | D5 | D4 | D3 | D2 | D1 | D0 |
|----|----|----|----|----|----|----|----|

2.4. Parameter Data

- Valid Parameter length: 2 Bytes
- Parameter Data

| Bit No | Bit7 | Bit6 | Bit5 | Bit4 | Bit3 | Bit2 | Bit1 | Bit0 |
|--------|--|------|------|------|------|------|------|------|
| Byte0 | Fault Action (ch0~ch7) 0: Fault value, 1:Hold last state | | | | | | | |
| Byte1 | Fault value (ch0~ch7) 0:Off, 1:On | | | | | | | |